

RETROFIT INDUCTION UNIT - FAT BOY

OPTIONS:

- COIL ORIENTATION (SEE PAGE 2)
- INLET LOCATION (SEE PAGE 3)
- INLET DAMPER (SEE PAGE 6)
- VOLUME FLOW REGULATOR (SEE PAGE 7)
- PLENUM DAMPER (SEE PAGE 3)
- ELECTRIC HEATER (SEE PAGE 4)
- HANGER MOUNTING (SEE PAGE 5)
- CONDENSATE PAN (SEE PAGE 5)
- CONTROL DETAILS (SEE PAGE 8)

NOZZLE SIZE:

- 406
- 506
- 608
- 605
- 603
- 601

COIL TYPE:

- 2P1C-NODV - 2 PIPES, 1 CIRCUIT
- 2P1C-DV - 2 PIPES, 1 CIRCUIT W/ DRAIN AND VENTS
- 2P2C-NODV - 2 PIPES, 2 CIRCUITS
- 2P2C-DV - 2 PIPES, 2 CIRCUITS W/ DRAIN AND VENTS
- 4P1C-NODV - 4 PIPES, 1 CIRCUIT
- 4P1C-DV - 4 PIPES, 1 CIRCUIT W/ DRAIN AND VENTS
- 4P2C-NODV - 4 PIPES, 2 CIRCUITS
- 4P2C-DV - 4 PIPES, 2 CIRCUITS W/ DRAIN AND VENTS

COIL CONNECTION:

- SWT - 1/2" SWEAT
- FNPT - 1/2" NPT-FEMALE
- MNPT - 1/2" NPT-MALE

INLET SIZE:

- 3 - 3" ROUND
- 4 - 4" ROUND

LINT SCREEN:

- NONE (DEFAULT)
- LS - LINT SCREEN

INSULATION:

- NONE (DEFAULT)
- INT - INTERNAL 1/2" FIBERFREE
- EXT - EXTERNAL 1/2" FIBERFREE
- INEX - INTERNAL & EXTERNAL

PROTECTIVE FILM:

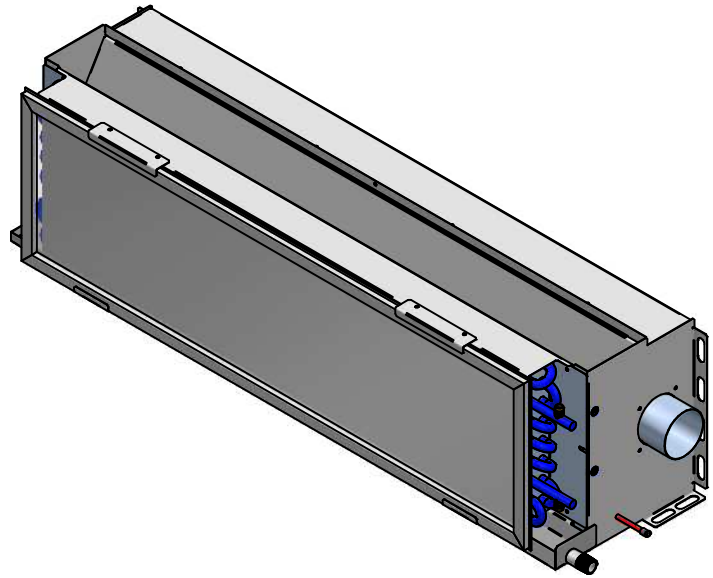
- NONE (DEFAULT)
- PF - PROTECTIVE FILM ON INLET AND DISCHARGE

ELEVATION

- SEA LEVEL
- HIGH ALTITUDE _____ FT

NOTES:

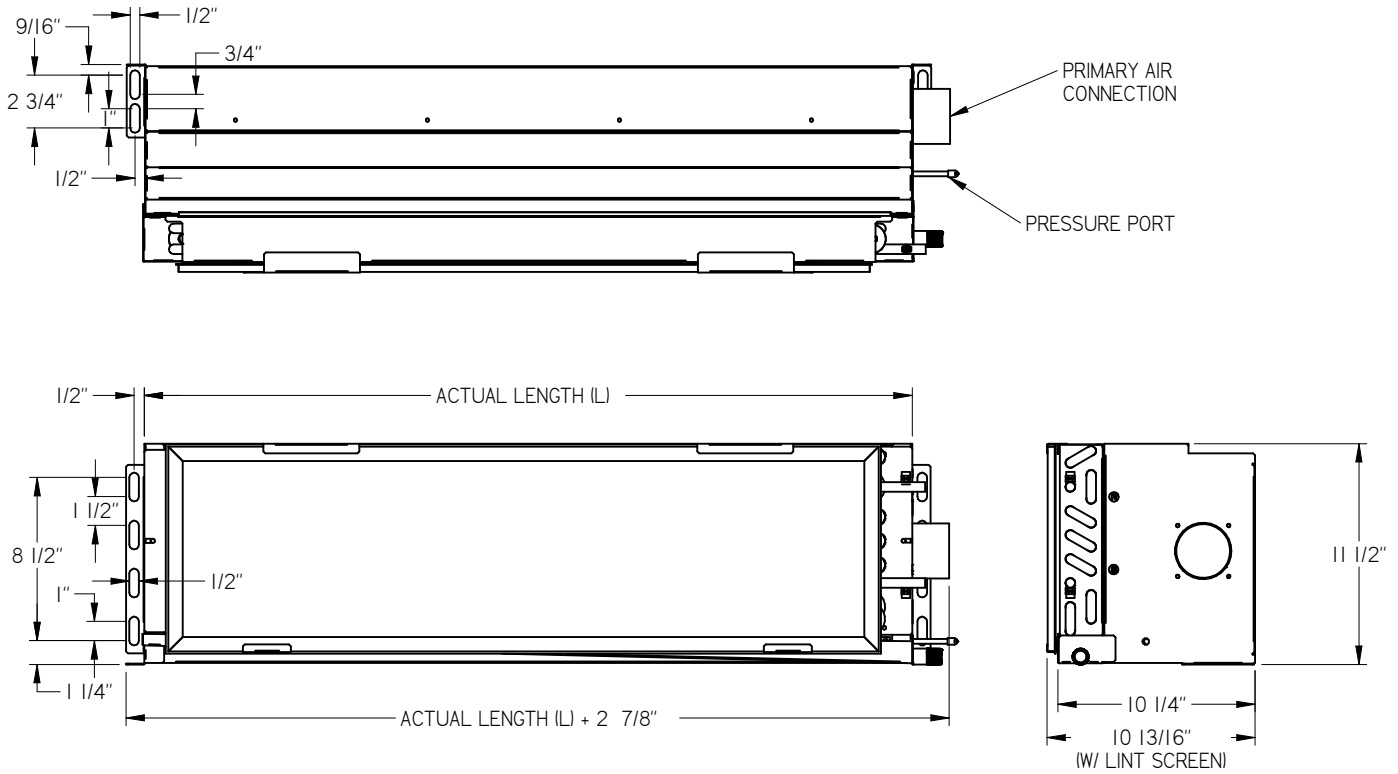
- STANDARD CONSTRUCTION: 20 GAUGE CONSTRUCTION (STEEL)
- FACTORY TOLERANCE ± 1/32"



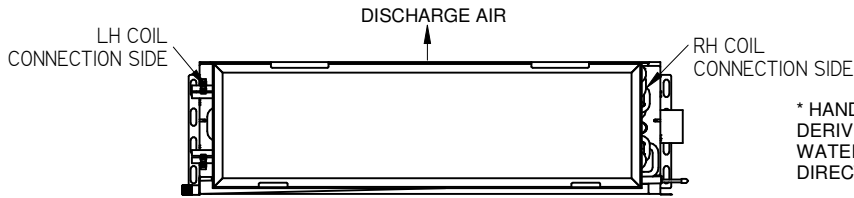
NOMINAL LENGTH	ACTUAL LENGTH (L)
24"	24.000"
32"	32.000"
40"	40.000"
52"	52.000"
64"	64.000"
76"	76.000"
88"	88.000"

PROJECT:		PRICE	
ENGINEER:		DY	RIU-FB RETROFIT INDUCTION UNIT FAT BOY
CUSTOMER:		272665	
SUBMITTAL DATE:	SPEC. SYMBOL:	9/24/2020	

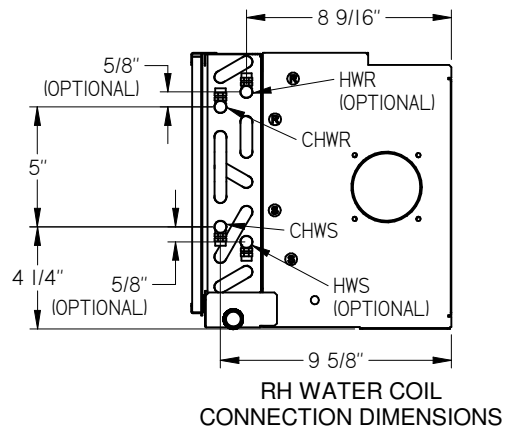
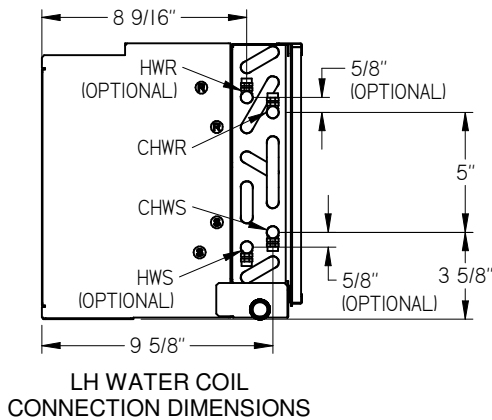
RETROFIT INDUCTION UNIT - FAT BOY



COIL ORIENTATION:
 LH - LEFT HAND
 RH - RIGHT HAND



* HAND CONFIGURATION IS DERIVED BY LOOKING TOWARDS WATER COIL WITH DISCHARGE AIR DIRECTED UPWARDS.



PROJECT:



ENGINEER:

DY

CUSTOMER:

272665

RIU-FB
 RETROFIT INDUCTION UNIT
 FAT BOY

SUBMITTAL DATE:

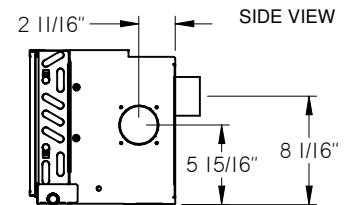
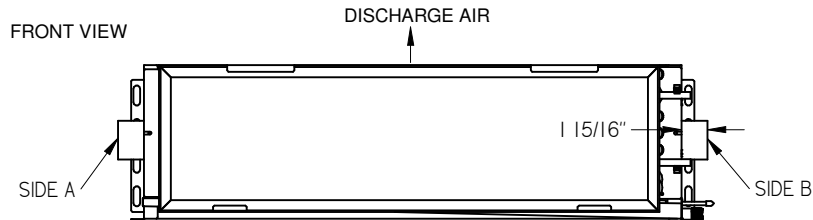
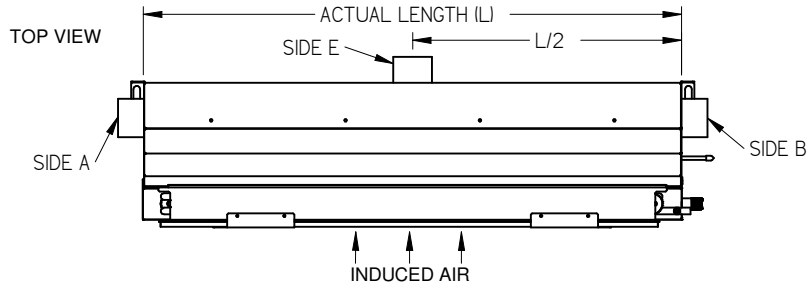
SPEC. SYMBOL:

9/24/2020

RETROFIT INDUCTION UNIT - FAT BOY

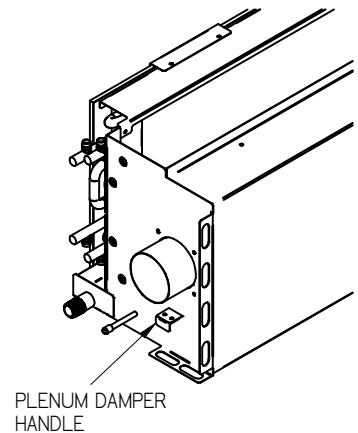
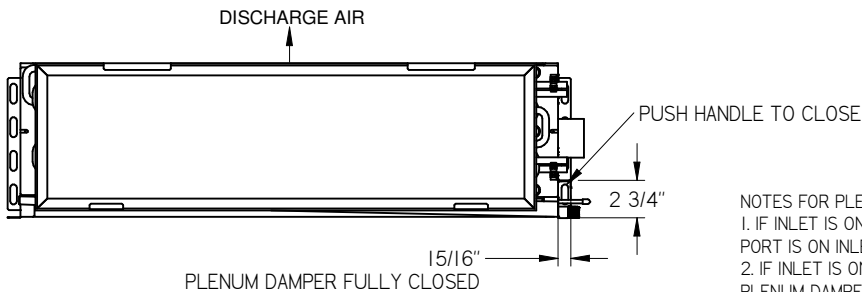
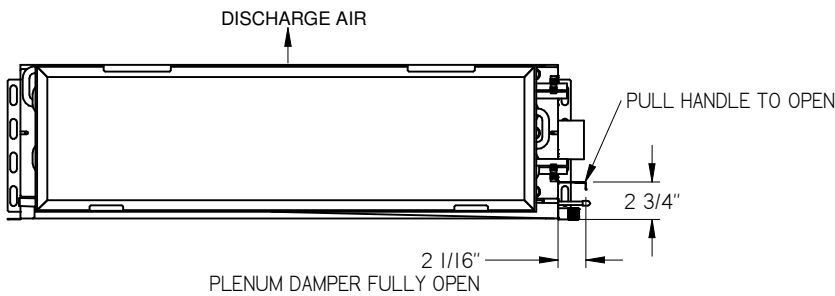
INLET LOCATION:

- A - SIDE A
- B - SIDE B
- AB - SIDE A & SIDE B
- E - SIDE E



PLENUM DAMPER (ADJUST DAMPER OPENING BY PULLING/PUSHING HANDLE):

- NONE (DEFAULT)
- PD - PLENUM DAMPER



NOTES FOR PLENUM DAMPER HANDLE AND PRESSURE PORT LOCATION:
 1. IF INLET IS ON SIDE A OR SIDE B, PLENUM DAMPER HANDLE/PRESSURE PORT IS ON INLET SIDE.
 2. IF INLET IS ON BOTH SIDE A AND SIDE B OR INLET IS ON SIDE E, PLENUM DAMPER HANDLE/PRESSURE PORT IS ON COIL CONNECTION SIDE.

PROJECT:		PRICE	
ENGINEER:		DY	RIU-FB RETROFIT INDUCTION UNIT FAT BOY
CUSTOMER:		272665	
SUBMITTAL DATE:	SPEC. SYMBOL:	9/24/2020	

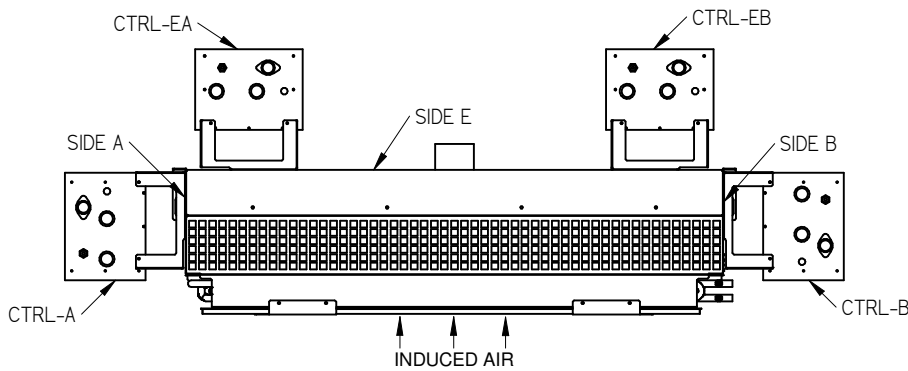
RETROFIT INDUCTION UNIT - FAT BOY

ELECTRIC HEATER (SEE PAGE 8 FOR CONTROL DETAILS):

- NONE (DEFAULT)
- CTRL-A - 1500 BTUH/FT WITH CONTROL ON SIDE A - INCREASING OVERALL LENGTH
- CTRL-B - 1500 BTUH/FT WITH CONTROL ON SIDE B - INCREASING OVERALL LENGTH
- CTRL-EA - 1500 BTUH/FT WITH CONTROL ON SIDE E (NEAR SIDE A) - INCREASING OVERALL WIDTH
- CTRL-EB - 1500 BTUH/FT WITH CONTROL ON SIDE E (NEAR SIDE B) - INCREASING OVERALL WIDTH

NOMINAL LENGTH	VOLTS/PH/CYC	KW	AMPS	MCA	MOP
24	277/1/60	0.9	3.2	4.0	20
32	277/1/60	1.2	4.2	5.3	20
40	277/1/60	1.5	5.3	6.6	20
52	277/1/60	1.9	6.9	8.6	20
64	277/1/60	2.3	8.5	10.6	20
76	277/1/60	2.8	10.1	12.6	20
88	277/1/60	3.2	11.6	14.5	20

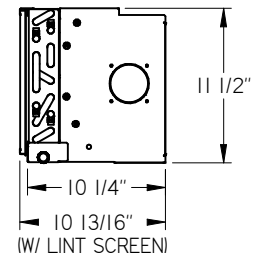
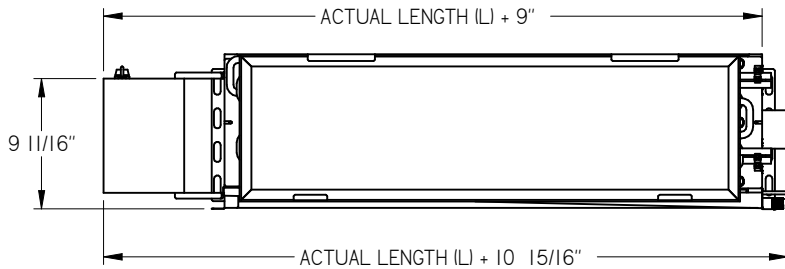
TOP VIEW



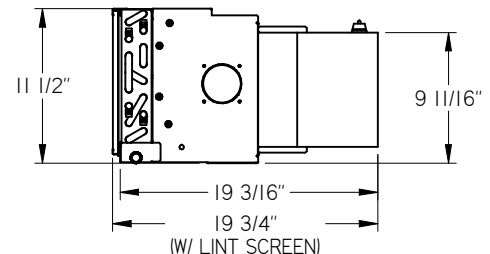
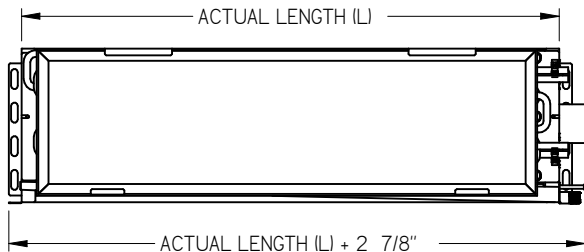
NOTES:

1. CONTROL CANNOT BE ON INLET SIDE IF INLET IS ON SIDE A OR SIDE B.
2. CONTROL CANNOT BE ON COIL CONNECTION SIDE.
3. UNIT CANNOT BE FLUSH AGAINST WALL IF CONTROL IS ON SIDE E.

DIMENSIONS WITH CTRL-A/CTRL-B INSTALLED



DIMENSIONS WITH CTRL-EA/CTRL-EB INSTALLED

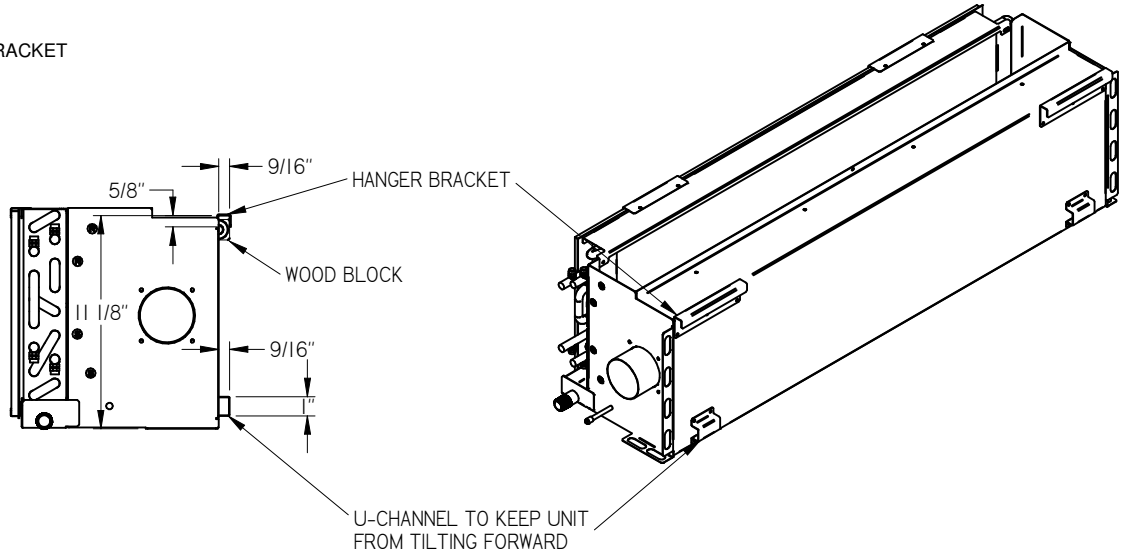


PROJECT:		PRICE	
ENGINEER:			
CUSTOMER:		272665	
SUBMITTAL DATE:	SPEC. SYMBOL:	9/24/2020	

RETROFIT INDUCTION UNIT - FAT BOY

HANGER MOUNTING:

- NONE (DEFAULT)
- HGR - HANGER BRACKET

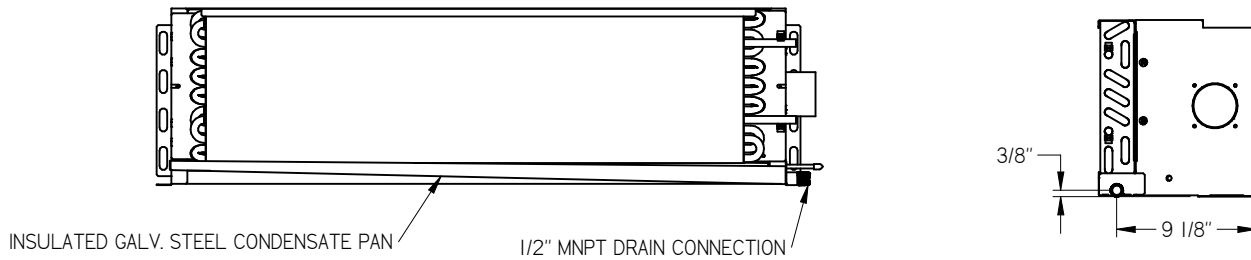


CONDENSATE PAN:

- NONE (DEFAULT)
- DP-S - DRAIN PAN WITH SIDE CONNECTION(SLOPED AT LEAST 1/8"/FT)
- DP-B - DRAIN PAN WITH BOTTOM CONNECTION(SLOPED AT LEAST 1/8"/FT)
- DT - DRIP TRAY

*DP-B IS ONLY AVAILABLE FOR UNIT WITH HANGER BRACKETS.

*DRAIN PAN CONNECTION IS ALWAYS ON COIL CONNECTION SIDE.



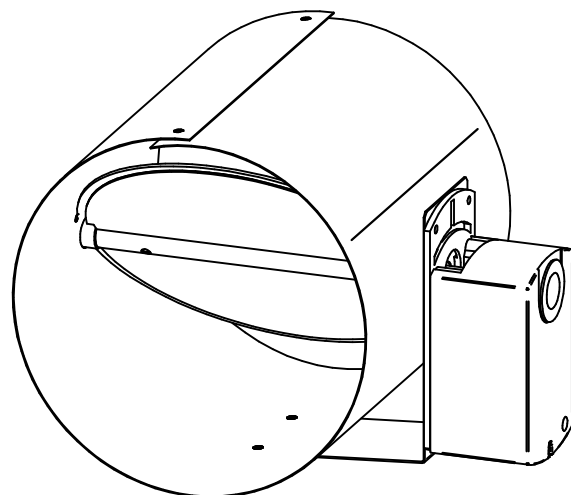
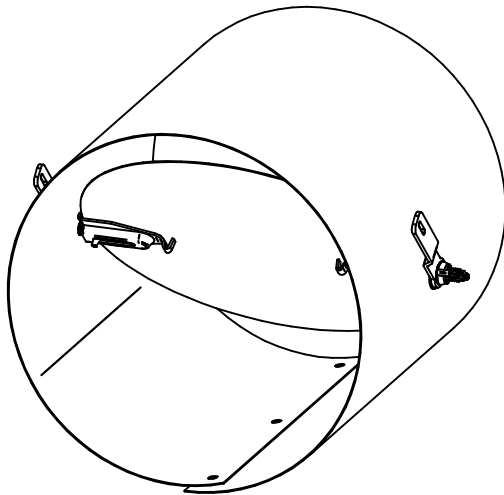
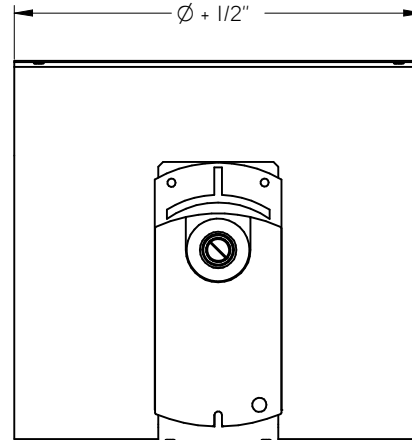
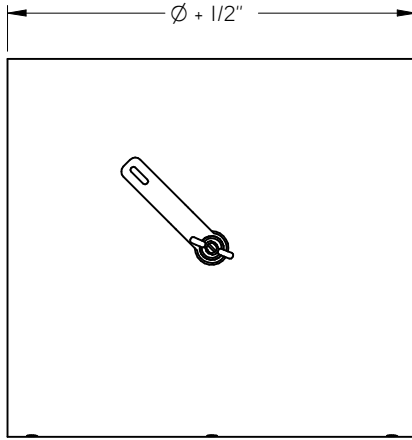
PROJECT:		PRICE	
ENGINEER:		DY	RIU-FB RETROFIT INDUCTION UNIT FAT BOY
CUSTOMER:		272665	
SUBMITTAL DATE:	SPEC. SYMBOL:	9/24/2020	

RETROFIT INDUCTION UNIT - FAT BOY

INLET DAMPER (SHIPPED LOOSE):
 (DAMPERS SHOULD NOT BE MOUNTED DIRECTLY TO THE INLET AND SHOULD ONLY BE USED FOR TRIMMING AIRFLOW)

- NONE (DEFAULT)
- MQ4 - 4" DAMPER W/ MANUAL LOCKING QUADRANT

- VAV4 - 4" DAMPER W/ 24VAC FLOATING POINT ACTUATOR



PROJECT:



ENGINEER:

DY

CUSTOMER:

272665

RIU-FB
 RETROFIT INDUCTION UNIT
 FAT BOY

SUBMITTAL DATE:

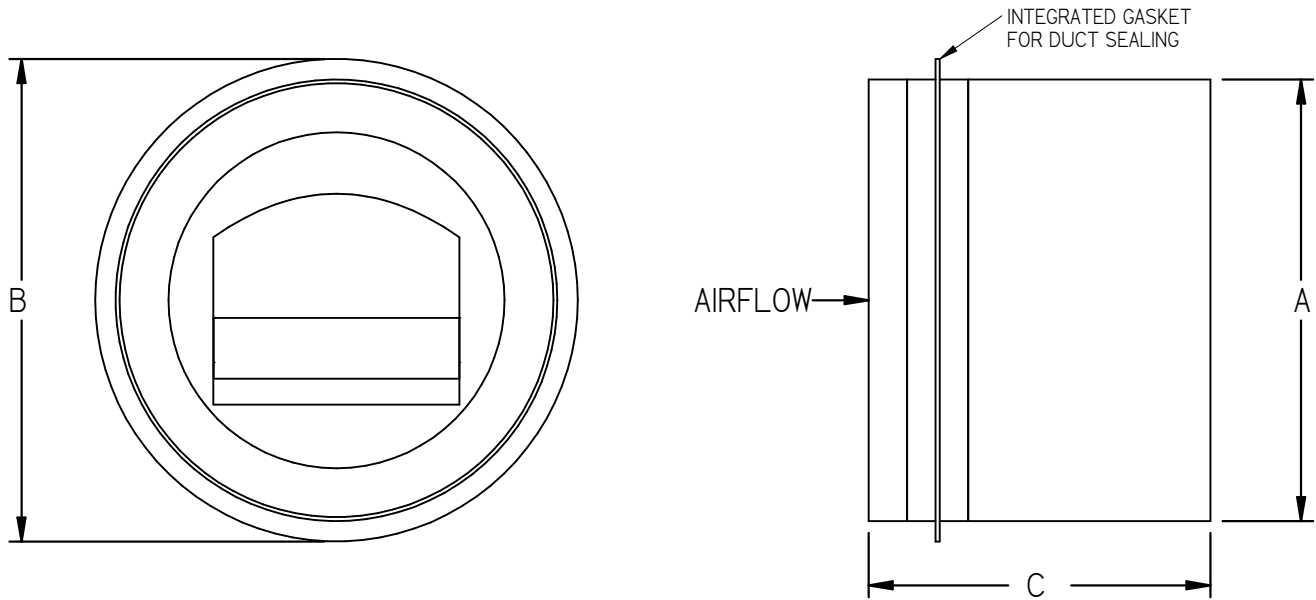
SPEC. SYMBOL:

9/24/2020

RETROFIT INDUCTION UNIT - FAT BOY

VOLUME FLOW REGULATOR (SHIPPED LOOSE):

- NONE (DEFAULT)
- VFR4-10 - 4" DUCT VFR, 10 CFM
- VFR4-20 - 4" DUCT VFR, 20 CFM
- VFR4-25 - 4" DUCT VFR, 25 CFM
- VFR4-30 - 4" DUCT VFR, 30 CFM
- VFR4-35 - 4" DUCT VFR, 35 CFM
- VFR4-45 - 4" DUCT VFR, 45 CFM
- VFR4-50 - 4" DUCT VFR, 50 CFM
- VFR4-60 - 4" DUCT VFR, 60 CFM



Duct Size	A	B	C	AIRFLOW SELECTIONS (CFM)
4" (100)	3.800	4.100	2.300	10, 20, 25, 30, 35, 45, 50, 60

STANDARD CONSTRUCTION:

- BLACK ABS PLASTIC, UL94V-0 RATED
- UL2043 LISTED
- SIZED TO FIT INSIDE STANDARD RIGID ROUND DUCTING
- INTEGRATED GASKET FOR SEALING AGAINST INSIDE OF DUCT

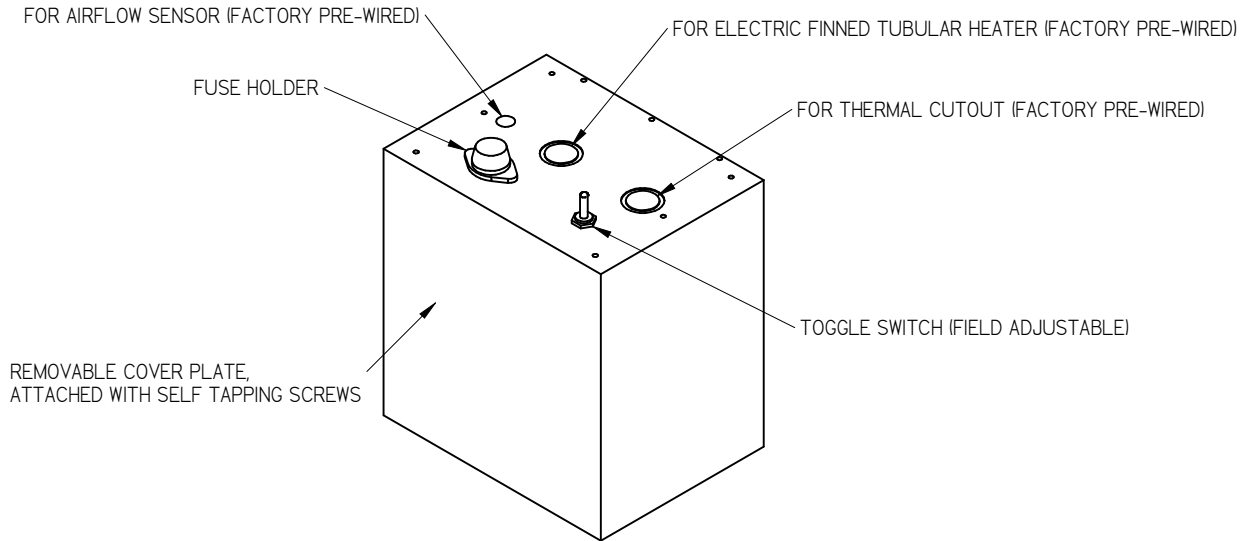
PERFORMANCE:

- CONTROLS AIRFLOW WITHIN 10% OF RATED FLOW (15% FOR UNITS 50CFM OR LESS) FOR 0.2" TO 0.8" W.C.

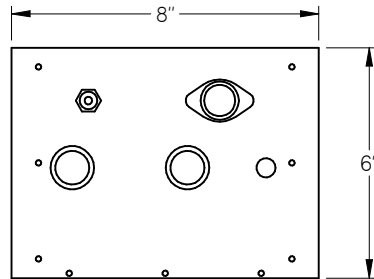
PROJECT:		PRICE	
ENGINEER:		DY	RIU-FB RETROFIT INDUCTION UNIT FAT BOY
CUSTOMER:		272665	
SUBMITTAL DATE:	SPEC. SYMBOL:	9/24/2020	

RETROFIT INDUCTION UNIT - FAT BOY

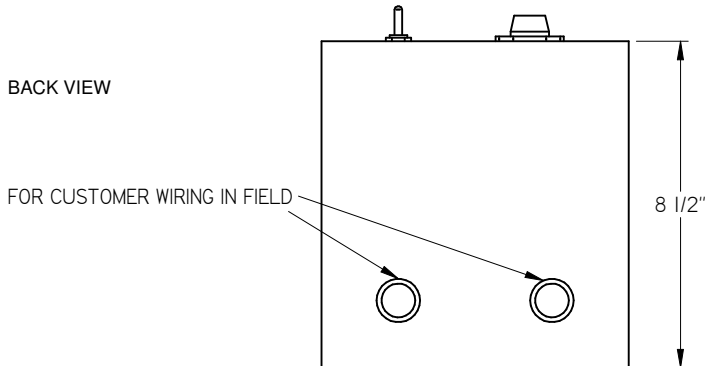
CONTROL DETAILS



TOP VIEW



BACK VIEW



CONTROL PANEL: 18GA GALVANIZED STEEL
 REMOVABLE COVER PLATE: 14GA GALVANIZED STEEL

PROJECT:		PRICE [®]	
ENGINEER:		DY	RIU-FB RETROFIT INDUCTION UNIT FAT BOY
CUSTOMER:		272665	
SUBMITTAL DATE:	SPEC. SYMBOL:	9/24/2020	